

## DRAGA 1000 JET SUCTION DREDGER



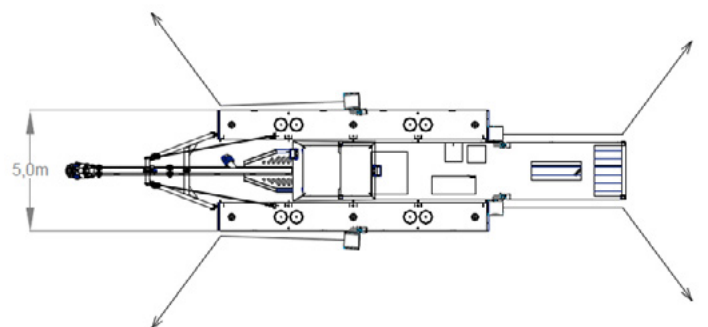
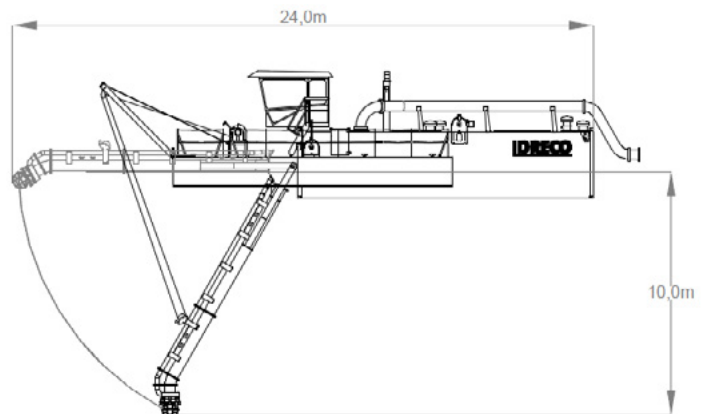
### INNOVATIVE – SUSTAINABLE – ROBUST

—— **Electric-driven:** lowest cost per cubic meter. No emission, minimal noise pollution.

—— In-house **iPump®** line: developed through sixty years of experience in sand- and gravel extraction. Wear resistant for increased life span, optimal suction characteristics, adaptable for a wide range of tasks.

—— In-house **iDredge® control- and automation system:** ensuring increased efficiency and reduced power consumption. Optional: remote controlled dredge systems and data collection for automated analyses on performance.

—— **Containerized** for low-cost transportation worldwide and inland delivery to remote locations. Relocation facilitated through the iPlug-and-Dredge Concept. **Modular** design for industry-leading delivery times and continuous **availability of spare parts.**



# DRAGA 1000 JET SUCTION DREDGER

## TECHNICAL SPECIFICATIONS

### FEATURES

- Transportable by three shipping containers
- Efficient Electric Drive System
- Small Environmental Footprint
- Low Noise & Vibration Level
- One-man Operation

### DREDGING FEATURES

|                                      |                 |                     |
|--------------------------------------|-----------------|---------------------|
| <b>Max. Dredging Depth:</b>          | 10              | [m]                 |
| <b>Nominal Mixture Flow:</b>         | 1000 – 2400     | [m <sup>3</sup> /h] |
| <b>Available Suction Diameter:</b>   | 300 – 450       | [mm]                |
| <b>Available Discharge Diameter:</b> | 250 – 400       | [mm]                |
| <b>Available Dredge Pump Sizes:</b>  | 300 / 350 / 400 | [mm]                |
| <b>Min. Spherical Pump Passage:</b>  | 160             | [mm]                |

### DREDGE PUMP DRIVE

|                                     |                      |
|-------------------------------------|----------------------|
| <b>Power Source:</b>                | Electric feed cable  |
| <b>Reduction drive:</b>             | V-belt               |
| <b>Available Dredge Pump Power:</b> | 315 / 400 / 500 [kW] |

### JET PUMP

|                           |           |                     |
|---------------------------|-----------|---------------------|
| <b>Jet Pump Flow:</b>     | 230 / 280 | [m <sup>3</sup> /h] |
| <b>Jet Pump Pressure:</b> | 8         | [bar]               |
| <b>No. Jet Nozzles:</b>   | 8         | [pcs]               |

### PRINCIPLE DIMENSIONS

|  |                   |       |
|--|-------------------|-------|
| <b>Length o.a. with raised ladder:</b> | 24                | [m]   |
| <b>Length over pontoons:</b>           | 17.5              | [m]   |
| <b>Width:</b>                          | 5                 | [m]   |
| <b>Depth:</b>                          | 1.5               | [m]   |
| <b>Draught:</b>                        | 1                 | [m]   |
| <b>Main Pontoon LxWxH:</b>             | 12 x 2.5 x 2.8    | [m]   |
| <b>Side Pontoons LxWxH:</b>            | 11,5 x 1.25 x 1.5 | [m]   |
| <b>Total dry weight:</b>               | 50                | [ton] |
| <b>Air draught:</b>                    | 4.2               | [m]   |

### ELECTRIC INSTALLATION

|                                     |                    |       |
|-------------------------------------|--------------------|-------|
| <b>Primary Voltage:</b>             | 6 / 10             | [kV]  |
| <b>Secondary Voltage (3-Phase):</b> | 400                | [Vac] |
| <b>Dredge Pump Power Source:</b>    | VFD                |       |
| <b>Jet Pump Power Source:</b>       | Soft starter / VFD |       |
| <b>Mooring Winches:</b>             | DOL starter        |       |

### DECK INSTALLATION

|  |     |      |
|--|-----|------|
| <b>Suction Tube Hoisting Winch (Electric):</b> | 25  | [kN] |
| <b>Mooring Winches (Electric):</b>             | 30  | [kN] |
| <b>Mooring Winch Wire Capacity:</b>            | 200 | [m]  |

### DECK CRANE

|                          |     |      |
|--------------------------|-----|------|
| <b>Lifting Capacity:</b> | 15  | [kN] |
| <b>Outreach:</b>         | 2.2 | [m]  |

### TOOLS

- Special tools are supplied for maintenance of dredge pump

### INSTRUMENTATION

- **iDredge®** Dredger Control System
- Dredging Depth indication
- Vacuum and Pressure Indication of Dredge Pump

### OPTIONAL EQUIPMENT

- DGPS Dredge Mining Control System
- Production Measurement
- Discharge Velocity Measurement
- Additional Hydraulic Excavation Head
- Wedge piece for small min. Dredging depths
- Floating discharge pipe line
- Floating high voltage supply cable
- Remote dredge monitoring
- Direct drive PM motor