

 ROHR-IDRECO



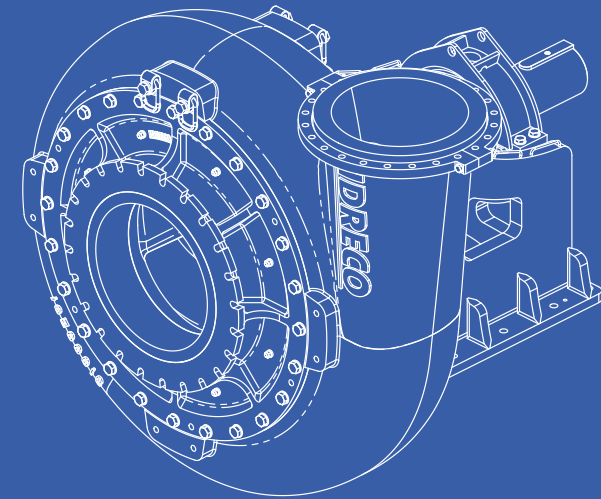
PUMPS & BOOSTERS

PUMPS

ROHR-IDRECO has had its own complete iPump® line for many years. Our iPumps were developed for the transport of slurries with abrasive loads due to a high percentage of fine particles, as well as mixed loads or impact loads caused by a high percentage of coarse grain material.

Thanks to the application of the latest technologies, our iPumps are wear-resistant for an increased life span, have optimal suction characteristics, and are energy efficient. High-performance operations, long life, and superior efficiency are the results.

The iPumps are suited to a wide range of tasks. They can be adapted to ROHR-IDRECO dredging vessels for the mining, dredging, and dam desilting industries. They are also suitable for application in: power- and gas, special heavy construction, overburden storage/removal, slurry projects and the transport of cuttings in tunnels and special civil engineering projects, among others.



iPumps

Available suction sizes:	ø200 – ø1100 mm
Flow rate:	up to 20.000 m ³ /h
Nominal operating head:	Low Pressure Pumps: 20 – 50 m Medium Pressure Pumps: 35 – 70 m High Pressure Pumps: 60 – 100 m
Materials (Wear parts):	Wear and corrosion resistant cast materials
Seal:	Stuffing Box, Simmering Seal, Mechanical Seal, Liquidyne Seal
Optional:	Submerged version 3/4/5 Vane Impeller Automated Lubrication System Cooling system pump bearing cartridge

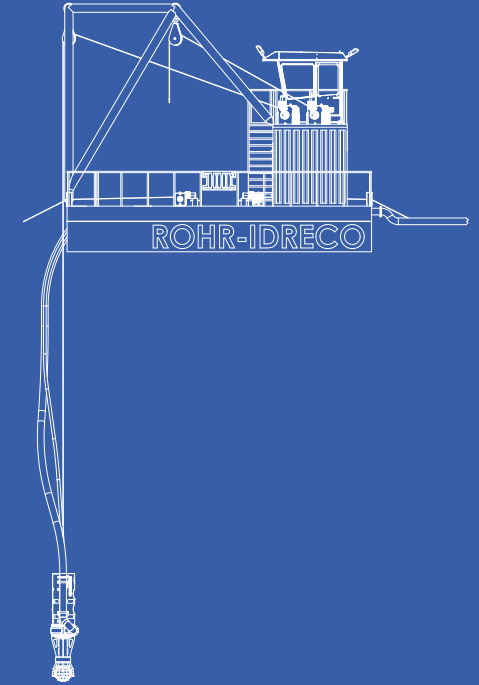
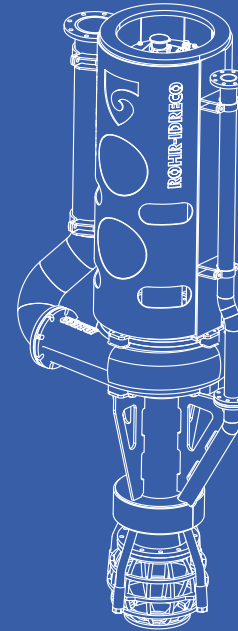
GRAFA & HYDRA

— A special version of our pumps is our fully electrically driven GRAFA submersible dredging pump. It can be attached to, for example, a crane, excavator, or barge vessel.

Our GRAFA comes in three sizes and is based on the hydraulic part of the ROHR-IDRECO iPump® making it a serious tool, suitable for many of your dredging needs.

— The HYDRA is a highly portable addition to the suction dredge portfolio. It consists of a GRAFA underwater pump with significant excavating capacity, mounted on its own pontoons, and with a control cabin on the electrical cabinet room or (optional) diesel generator set.

The ease of transport of the HYDRA makes it especially suitable as a simplified dredger operating between a number of pits or locations, but also for very deep-digging hydrodam desilting applications ranging between 50 and 100 meters or more.

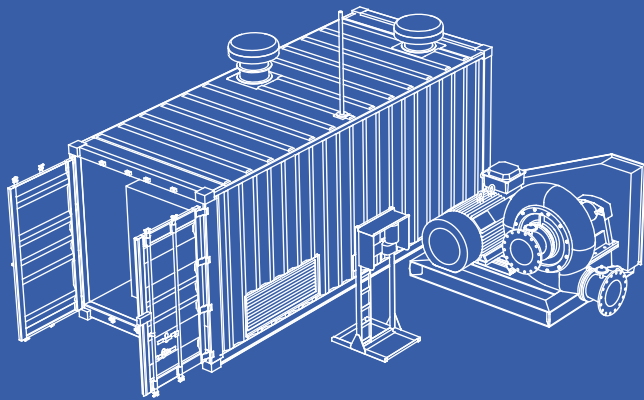


— GRAFA Submersible Pump

	GRAFA 250	GRAFA 300	GRAFA 350
Maximum mixture flow:	1.200 m ³ /h	2.000 m ³ /h	2.400 m ³ /h
Optimal mixture flow:	850 m ³ /h	1.600 m ³ /h	2.000 m ³ /h
Max Dredging Depth:	50 m	50 m	50 m
Max head:	60 m	60 m	60 m
Power:	260 kW	400 kW	470 kW
RPM:	1.100	900	770

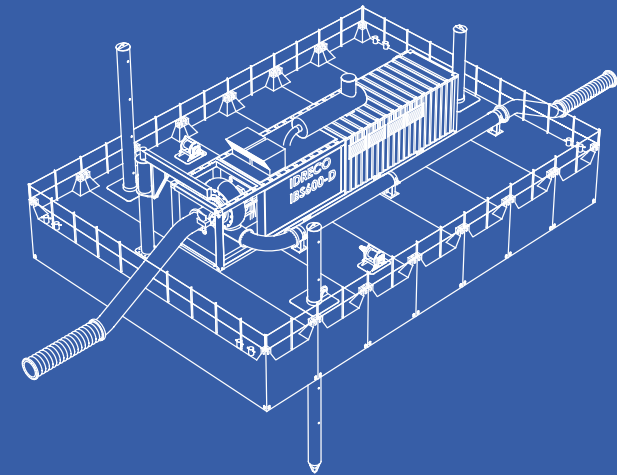
BOOSTERS

— All ROHR-IDRECO iPumps can be built individually into land-based or floating booster sets with our iDredge® Stand-Alone Booster Control system. Among the possibilities is remote communication with the dredger to maximize system efficiency and performance.



Booster – Land Based

Mixture capacity:	1.000 – 12.000 m ³ /h
Maximum head:	80 m
Drive:	Electric – Diesel
Control system:	iDredge® Stand-Alone Booster Control
Optional:	Communication with dredger



Booster – Floating

Mixture capacity:	1.000 – 12.000 m ³ /h
Maximum head:	80 m
Drive:	Electric – Diesel
Control system:	iDredge® Stand-Alone Booster Control
Optional:	Spuds, Mooring Winches, Communication with dredger

PARTS & SERVICES

— Each dredging and pumping project deserves the best performance possible. A lifetime supply of parts and services is an integral part of our scope to ensure this.

Spare parts

To minimize downtime, we maintain an extensive stock of standard spare parts that can be quickly shipped worldwide. These include the full range of wear parts for the ROHR-IDRECO iPump® line, as well as proprietary Adreba/Bagema pump lines. Our SMRT Warehouse Management System allows customers to check the availability of spare parts and order them directly online.

To simplify maintenance, the pumps are designed so that the bearing bracket with shaft seal and impeller can be removed from the pipeline network without having to dismantle the housing.

Service

ROHR-IDRECO has its own service team of highly qualified technicians who are closely involved in the construction of new pump installations and renovation projects. For optimized operation, ROHR-IDRECO offers a service contract that includes, among others: mechanical and electrotechnical tasks (including pump change), inspections and maintenance at regular intervals, priority 1 calls, and urgent service when machines are down.

The ROHR-IDRECO experts can even offer remote diagnostics and troubleshooting, advice on process optimization, and technical pump trainings.

A PARTNERSHIP FOR LIFE

The Netherlands
ROHR-IDRECO Dredgers

Logistiekweg 5
7007 CJ Doetinchem
+31 314 66 70 01
info@rohr-idreco.com

Germany
ROHR-IDRECO Bagger

Rotterdammer Str. 15
68219 Mannheim
+49 621 84 55 90
info@rohr-idreco.de

France
ROHR-IDRECO Dragues

ZA, 21 Rue du Moulin
57800 Betting
+33 3 87 92 05 31
info@rohr-idreco.fr

Americas
ROHR-IDRECO Americas

2257 N Loop 336 West #140-493
Conroe, TX 77304
+1 936-446-9976
americas@rohr-idreco.com



www.rohr-idreco.com

